



Innovating With Services and Technology

+1 786 553 3587

info.usa@anxor.com

15800 Pines Blvd.

Suite 3094 Pembroke
Pines, FL 33027, U.S.A.



ISO 9001

LL-C (Certification)



MISSION

To guarantee our clients first-class services in a timely manner, using standardized procedures, state-of-the-art technologies and following international standards. Fostering the development of our collaborators, generating value for shareholders and supporting the energy development of the country and the region.

VISION

By 2023, ANXOR INGENIERÍA S.A. will consolidate its national and regional presence as a leading company in engineering and consulting services, commercialization of electrical equipment and specialized software; recognized for its technical capacity, integration of innovative technologies and high credibility.

POLITICA DE LA CALIDAD

In ANXOR INGENIERÍA, we guarantee our clients quality products and services, in a timely manner and with leadership, adopting standardized procedures based on national and international standards, using the latest technology and continuously improving our processes.

We promote the growth and integration of our employees, generate value for shareholders and support the development of the region in the medium and high voltage electricity sector

VALUES

Todos somos uno



Respect for rules and processes



We know what we do



Kindness and human quality



Always one step ahead



Scan the code and learn more about us





OUR CLIENTS



EXPULSION FUSE CUTOUT

Provide protection to the line of distribution system and the various apparatus on those lines such as transformers and capacitor banks. It can also be used as a sectionalizing device. Using a portable load break tool, it can function much like an overhead line disconnect switch.

Product features:

- High performance of weather aging resistance
- Design feature of single vent
- Excellent conductivity
- Reliable load breaking capacity
- Relevant international executive standards

Maximum design voltage from: 10Kv - 38 Kv

Maximum rating current 100-200A

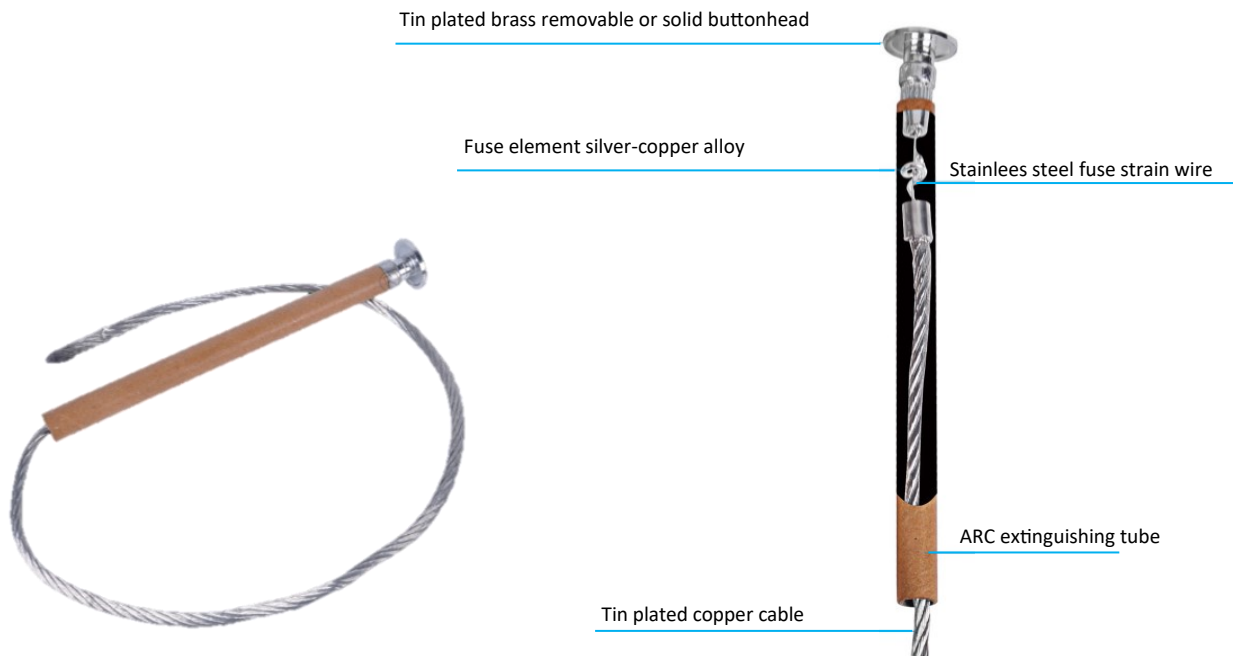


FUSE LINKS FOR EXPULSION FUSE CUTOUT

Fusible element adopts the material of silver-copper alloy, using precision technology and strict testing to guarantee accurate characteristics of time-current.

Fusible elements are crimped to fasten cable wire, and fixed by high strength strain wire, that guarantee excellent mechanical strength. It will not be affected, even if under external factors such as vibration and high current impact.

The Arc extinguishing tube has excellent performance of arc extinguishing when low current overload fault. We also supply Type K and Type T twin pigtails fuse link



HIGH VOLTAGE CURRENT-LIMITING FUSE

For Full Range Transformer Protection



Characteristic Brief

- Rated voltage from 7.2KV to 40.5KV
- Wide range of rated current from 6.3A to 200A
- Full range performance options available at 12KV and 24KV
- Powerful pyrotechnic or spring striker
- H.R.C.
- Current-limiting
- Low power dissipation, low temperature rise
- Operation extremely quickly, high reliability
- With primary coil of transformer in series
- Isolating & protecting transformer
- Conforming to standards: GB15166.2 DIN43625 BS2692-1 IEC60282-1

For Motor Protection



Characteristic Brief

- Rated voltage from 3.6KV to 12KV
- Wide range of rated current from 31.5A to 400A
- BS type and DIN type are all available
- Powerful pyrotechnic or spring striker
- H.R.C.
- Current-limiting
- Low power dissipation, low temperature rise
- Operation extremely quickly, high reliability
- With motor circuit in series
- Isolating & protecting motor
- Conforming to standards: GB15166.2 DIN43625 BS2692-1 IEC60282-1

For Use In Oil Switchgear



Characteristic Brief

- Rated voltage from 3.6KV to 12KV
- Wide range of rated current from 6.3A to 250A
- Powerful pyrotechnic striker
- Unique tripe seal
- H.R.C.
- Current-limiting
- Low power dissipation, low temperature rise
- Operation extremely quickly, high reliability
- Mainly used for back-up protection in transformers of American type
- Conforming to standards: GB15166.2 BS2692-1 / IEC60282-1

SURGE ARRESTER SERIES



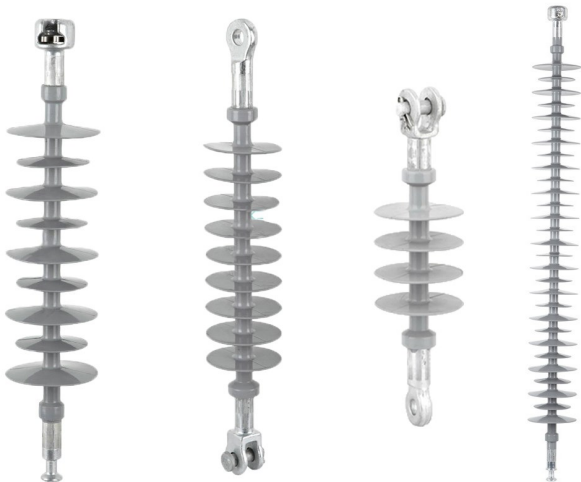
Ratings:0.22~500KV (porcelain),0.22~220KV (composite)

Application: for protection of power transmission & distribution system from over-voltage

Features:

- Silicone polymer housing composite metal oxide surge arrester and porcelain housing metal Oxide surge arresters are available.
- Easy installation and maintenance.
- Good sealing capability to ensure reliable operation.
- Protection and reliability of the surge arrester have been greatly enhanced.

COMPOSITE INSULATOR



Ratings: 12~500kV.

Application: for lines supporting and insulation of power transmission & distribution system.

Working Condition

1. Ambient air temperature:-50~+50
2. Altitude:<=3000m
3. Frequency:<=100Hz

PORCELAIN INSULATOR

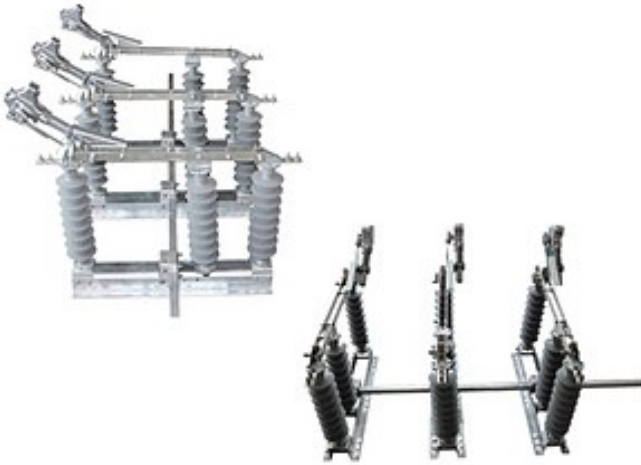


Types:

- Pin Type Insulators (BS)Insulator
- Pin Type Insulators (class BS)
- Pin Type Insulators (class ANSI)
- Spindles(For Use With Pin Type Insulators)(class BS)
- Spindles(For Use With Pin Type Insulators) (class ANSI)
- Suspension type insulators (class ANSI)
- Shackle Insulators (class BS)
- Spool Insulators (class ANSI)
- Shackle (spool) Insulator
- Wiring ando other insulators
- Post Insulator (class ANSI)
- line Post Insultors
- Top Clamp
- Line post stud
- Strain Insulator for lines (class ANSI)
- Guy strain Insulator

DISCONNECT SWITCH AND LOAD BREAK SWITCH

FW1 type Outdoor on load break switch (switch disconnecter) contained in this list are destined to switch stub lines and ring main lines or transformers(It can be equipped with MV HRC fuse links as short circuit protection function) or for switching under on load conditions



Service environment:

- Air temperature: Maximum temperature: + 75°C ; Minimum temperature: -45 °C
- Humidity: Monthly average humidity 95%; Daily average humidity 90%
- Altitude above sea level: Maximum installation altitude: 2500m
- Ambient air not apparently polluted by corrosive and flammable gas, vapor etc
- No frequent violent shake

COLD SHRINKABLE CABLE KITS



Application range of product:

The application of our manufactured cold shrinkable series products:

- Rated voltage 0.6/1 kV, nominal section: 10-630 mm² single core, two cores, three cores, four cores and five cores of cross-linked polyethylene insulated and rubber insulated power cable.

Single core and three cores of cross-linked polyethylene insulated and rubber insulated power cable.

- Rated voltage 8.7/10KV, 8.7/15KV, nominal section: 25-630 mm².
- Rated voltage 12/20KV, 18/20KV, nominal section: 25-400 mm²
- Rated voltage 21/35KV, 26/35KV, nominal section: 50-500 mm²

HEAT SHRINKABLE CABLE KITS

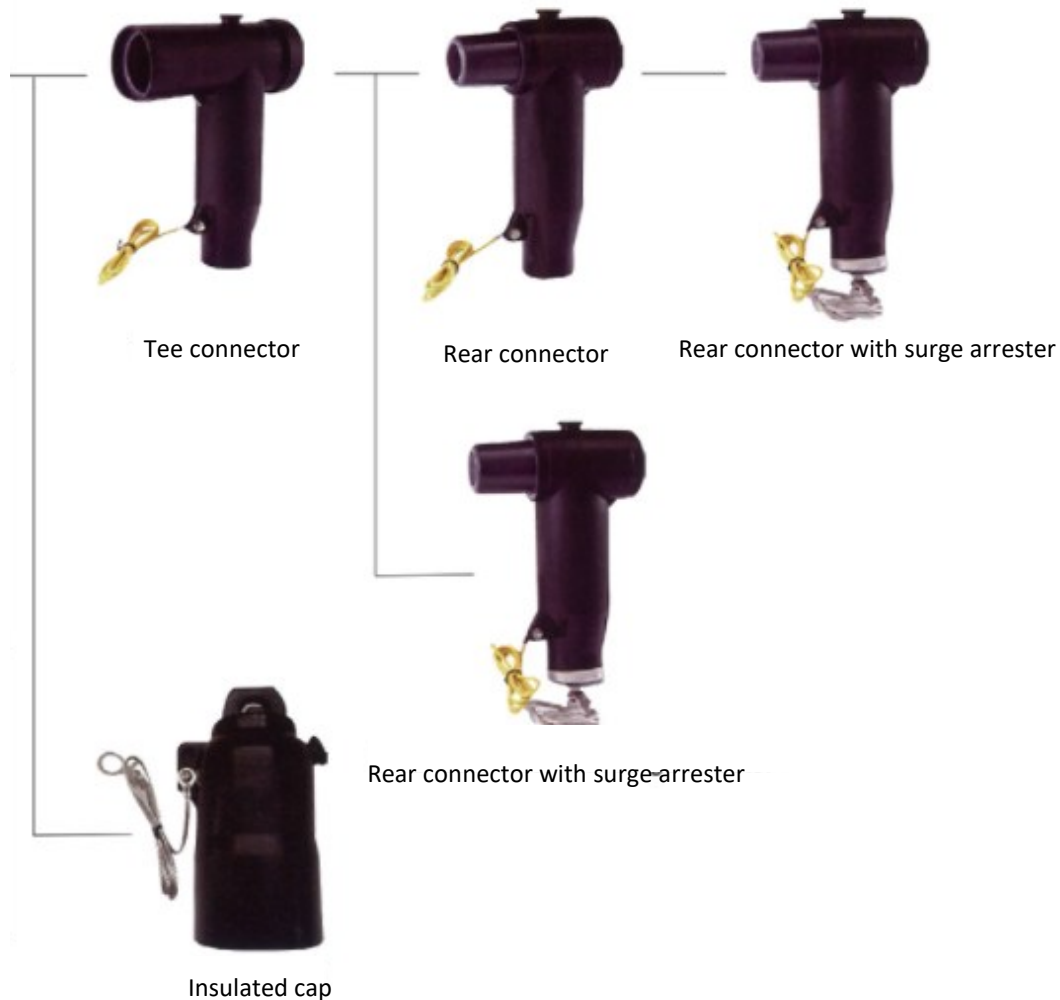


Features:

- Light weight.
- Reliable operation.
- Easy installation.
- waterproof design.
- Under -50 ℃ to 50 ℃ temperature conditions, the service life is over 20 years
- Shrinkage ratio:
 - * Radial ≥ 50%, Axial ≤ 10%.
 - * Shrinkage temperature: 120°C ~ 140°C .
 - * Standards: GB / T12706, DL413, JB / T8144, IEEE Std. 48.IEEE Std. 404.VDE 0278.IEC 60502.ESI 09-13

- EN 50181 Plug-in type bushings above 1kV up to 52kV and from 250A to 2.5kA for equipment other than liquid filled transformers
- EN 50180 Bushings above 1kV up to 36kV and from 250A to 3.15kA for liquid filled transformers
- HD629.1 Test requirements on accessories for used on power cables of rated voltage from 3.6/6(7.2)kV up to 20.8/36(42)kV-Part 1:cables with extruded insulation
- IEC 60502.4 Power cable with extruded insulation and their accessories for rated voltages from 1kV(U=1.2kV)up to 30kV(U=36kV)-part 4:test requirements on accessories for cable with rated voltages from 6kV up to 30kV (U=36kV)
- IEC60099 Metal oxide surge arresters without gaps for a.c.systems
- JB/T 8952 Polymer-housed metal oxide surge arresters without gaps for a.c.systems
- IEEE 386 Separable insulated connector system for power distribution system above 600V
- GB11032 Metal oxide surge arresters without gaps for a.c.system
- JB/T 8952 Polymer-housed metal oxide surge arresters without gaps for a.c.systems

IEC type Separable Connectors application



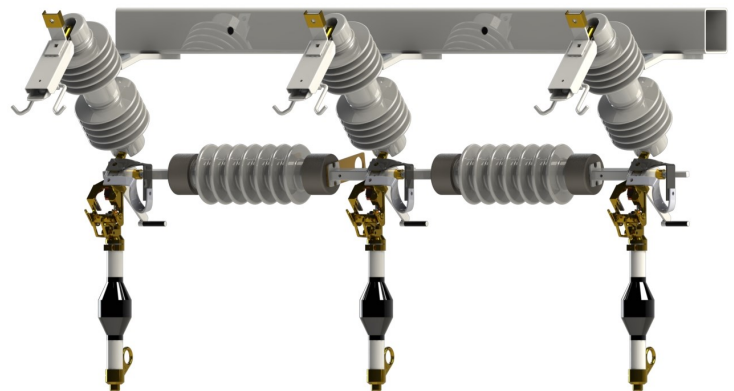
CAST RESIN STRAIGHT-THROUGH JOINT

Universally suitable for connecting polymeric cables or conductor insulated with PVC, PE, XLPE and EPR (e.g. N (A)YY, NYM,TT). Suitable for compression or screw connectors on copper and aluminum conductors.



AUTOMATIC SECTIONALIZER

The electric sectionalizer has been developed for use on overhead distribution lines to improve reliability and service continuity. It enhances the protection of the distribution system in a simple, economical way which is free from maintenance and spares.





United States Office

15800 Pines Blvd.

Suite 3094 Pembroke Pines, FL 33027.

Phone: +1 786 553 3587

Email: info.usa@anxor.com

Offices in

Nicaragua

Honduras

Costa Rica



www.anxor.com